



7029201 RESIN FOLDING CHAIR, UPH SEAT AND BACK, STACKING

W: 20" D: 22.75" H: 32.5" SW: 17.25" SD: 18" SH: 18" AH: - WT: 15 COM: .5 yd WT CAP: 400 lb

ZONE	B/COM	C	D	E	F	G	H	I	J	GENERAL INFORMATION
1	883	893	903	915	935	954	974	994	1014	MATERIAL: Resin MOIS. BARR: \$6
2	905	915	925	937	957	976	996	1016	1036	
3	927	937	947	959	979	998	1018	1038	1058	
4	949	959	969	981	1001	1020	1040	1060	1080	

Available in one color only, oyster. Deduct \$65 when standard poly under seat panel is not included. COM yardage is 0.7 yards if quantity is 5 or less.

Accessories



7034126 DOLLY FOR FOLDING CHAIRS

W: 21" D: 49" H: 53" WT: 63 lb

Zone 1	Zone 2	Zone 3	Zone 4
\$1335	\$1368	\$1402	\$1435

Dolly extension (7034003) is available. Chairs stack 16 high with the dolly and 20 high with the dolly extension.

7034003 DOLLY EXTENSION

W: 21" D: 49" H: 65" WT: 63 lb
\$288

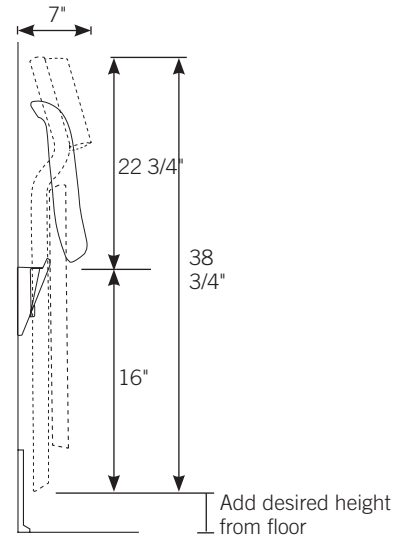
7170003 SMARTRAIL®

W: 23.5" D: 3" H: 5" WT: 3 lb

\$207



No additional hardware is needed. SmartRail® requires no additional hardware to hang the chair. All wall fasteners are included with the SmartRail®.



Specify:

- Product Number
- Fabric Vendor, Pattern and Color

See pages 16 & 17 for material and finish options.