



7029201 RESIN FOLDING CHAIR, UPH SEAT AND BACK, STACKING

W: 20" D: 22.75" H: 32.5" SW: 17.25" SD: 18" SH: 18" AH: - WT: 15 COM: .5 yd WT CAP: 400 lb

ZONE	B/COM	C	D	E	F	G	H	I	J	GENERAL INFORMATION
1	643	652	663	675	693	711	729	747	764	MATERIAL: \$6
2	659	668	679	691	709	727	745	763	780	MOIS. BARR: \$30
3	675	684	695	707	725	743	761	779	796	CA TB133: -
4	691	700	711	723	741	759	777	795	812	

Available in one color only, oyster. Deduct \$65 when standard poly under seat panel is not included. COM yardage is 0.7 yards if quantity is 5 or less.

Accessories



7034126 DOLLY FOR FOLDING CHAIRS

W: 21" D: 49" H: 53" WT: 63 lb
 Zone 1 Zone 2 Zone 3 Zone 4
 \$984 \$1009 \$1033 \$1058

Dolly extension (7034003) is available. Chairs stack 16 high with the dolly and 20 high with the dolly extension.

7034003 DOLLY EXTENSION

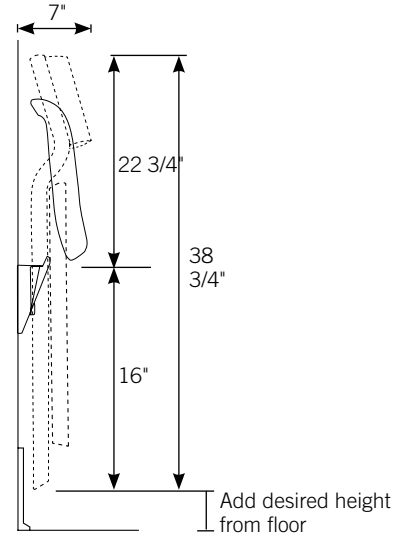
W: 21" D: 49" H: 65" WT: 63 lb
 \$212

7170003 SMARTRAIL®

W: 23.5" D: 3" H: 5" WT: 3 lb
 \$153



No additional hardware is needed. SmartRail® requires no additional hardware to hang the chair. All wall fasteners are included with the SmartRail®.



Specify:

Product Number

See pages 16 & 17 for material and finish options.