

Plyfold



7028201 FOLDING CHAIR, UPH SEAT AND BACK, WOOD BACKSIDE, STACKING

W: 19" D: 22.75" H: 32.5" SW: 16.25" SD: 18" SH: 18" AH: – WT: 15 lb COM: .5 yd WT CAP: 400 lb

ZONE	B/COM	C	D	E	F	G	H	I	J	GENERAL INFORMATION
1	514	523	534	546	564	582	600	618	635	WD SPECIES: Beech MOIS. BARR: \$6 CA TB133: \$30
2	527	536	547	559	577	595	613	631	648	
3	539	548	559	571	589	607	625	643	660	
4	552	561	572	584	602	620	638	656	673	

Price includes Plastitack glides. Not available with back edge wall guard.



7028202 FOLDING CHAIR, UPH SEAT AND BACK, WOOD BACKSIDE, 2" WIDER, STACKING

W: 21" D: 22.75" H: 32.5" SW: 18.25" SD: 18" SH: 18" AH: – WT: 15 lb COM: .5 yd WT CAP: 400 lb

ZONE	B/COM	C	D	E	F	G	H	I	J	GENERAL INFORMATION
1	528	537	548	560	578	596	614	632	649	WD SPECIES: Beech MOIS. BARR: \$6 CA TB133: \$30
2	541	550	561	573	591	609	627	645	662	
3	554	563	574	586	604	622	640	658	675	
4	567	576	587	599	617	635	653	671	688	

Price includes Plastitack glides. Back edge wall guard is standard on all Plyfold models.



7028204 FOLDING CHAIR, UPH SEAT, WOOD BACK, STACKING

W: 19" D: 22.75" H: 32.5" SW: 16.25" SD: 18" SH: 18" AH: – WT: 15 lb COM: .4 yd WT CAP: 400 lb

ZONE	B/COM	C	D	E	F	G	H	I	J	GENERAL INFORMATION
1	557	564	573	582	597	611	625	640	654	WD SPECIES: Beech MOIS. BARR: \$6 CA TB133: \$24
2	571	578	587	596	611	625	639	654	668	
3	585	592	601	610	625	639	653	668	682	
4	598	605	614	623	638	652	666	681	695	

Price includes Plastitack glides. Not available with back edge wall guard.



7023201 FOLDING CHAIR, WOOD SEAT, WOOD BACK, STACKING

W: 19" D: 22.75" H: 32.5" SW: 16.25" SD: 18" SH: 18" AH: – WT: 15 lb COM: – WT CAP: 400 lb

Zone	1	2	3	4	GENERAL INFORMATION
	599	614	629	644	WD SPECIES: Beech MOIS. BARR: – CA TB133: –

Price includes Plastitack glides.

Specify:

- Product Number
- Wood Finish
- Fabric Vendor, Pattern and Color

Accessories



7100001 LASER CUT

\$46 per chair
 \$204 set up charge per design
 See Ordering Information for Laser Cut information.



7100002 LASER CUT WITH COLOR FILL

\$65 per chair
 \$204 set up charge per design
 See Ordering Information for Laser Cut information.

CUSTOM CNC BACK ROUT

\$42 per chair
 \$557 set up charge per design
 Call for information.



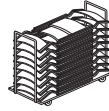
7190004 UNDERSEAT PANEL, PLYFOLD STANDARD WIDTH

WT: 1 lb Beech
 \$62
 Panels with vinyl or Crypton upholstered seats will be drilled for ventilation. Not available for chairs with all-wood seats.



7190012 UNDERSEAT PANEL, PLYFOLD WIDER WIDTH

WT: 1 lb Beech
 \$65
 Panels with vinyl or Crypton upholstered seats will be drilled for ventilation. Not available for chairs with all-wood seats.



7034126 DOLLY FOR PLYFOLD CHAIRS

W: 21"	D: 49"	H: 53"	WT: 63 lb
Zone 1	Zone 2	Zone 3	Zone 4
\$912	\$935	\$958	\$980

Dolly extension (7034003) is available. Plyfold chairs stack 16 high with the dolly and 20 high with the dolly extension.



7034127 4-WHEELED DOLLY, 2" WIDER

W: 23"	D: 49"	H: 53"	WT: 63 lb
Zone 1	Zone 2	Zone 3	Zone 4
\$928	\$951	\$974	\$998

Dolly extension (7034003) is available. Plyfold chairs stack 16 high with the dolly and 20 high with the dolly extension.

7034003 DOLLY EXTENSION

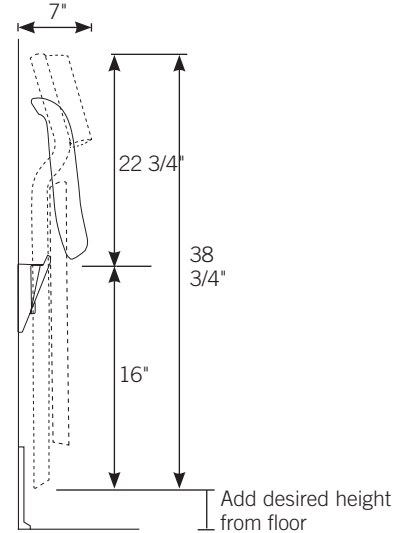
W: 21"	D: 49"	H: 65"	WT: 63 lb
\$197			

7170003 SMARTRAIL®

W: 23.5"	D: 3"	H: 5"	WT: 3 lb
\$142			



No additional hardware is needed. Plyfold SmartRail® requires no additional hardware to hang the chair. All wall fasteners are included.



US Patent No. 9486082.